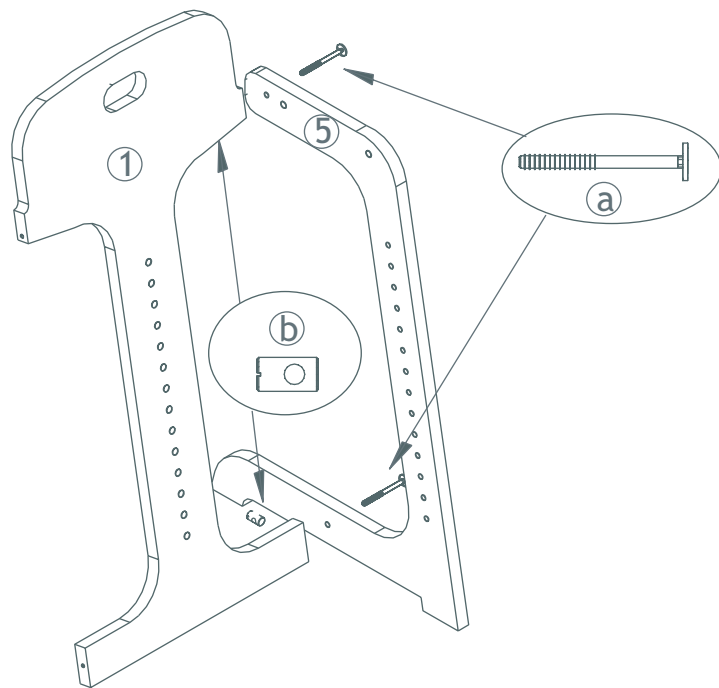
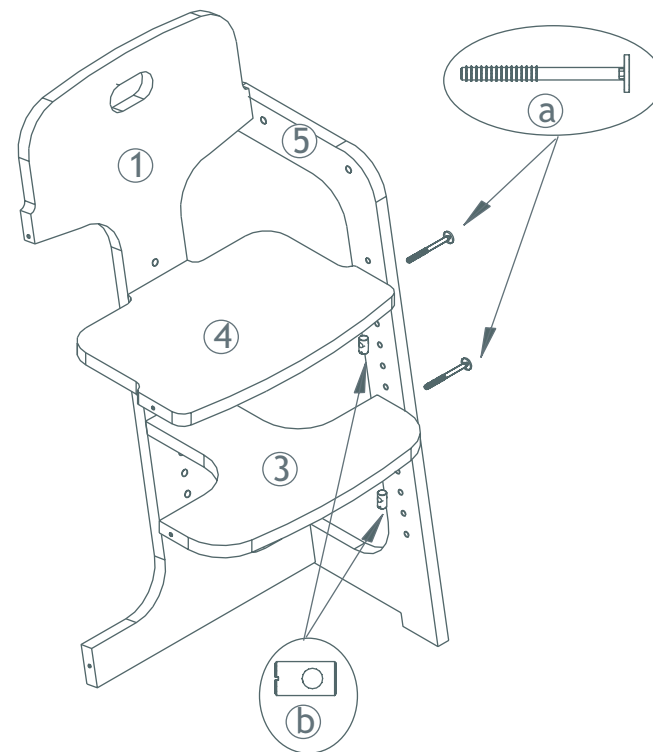


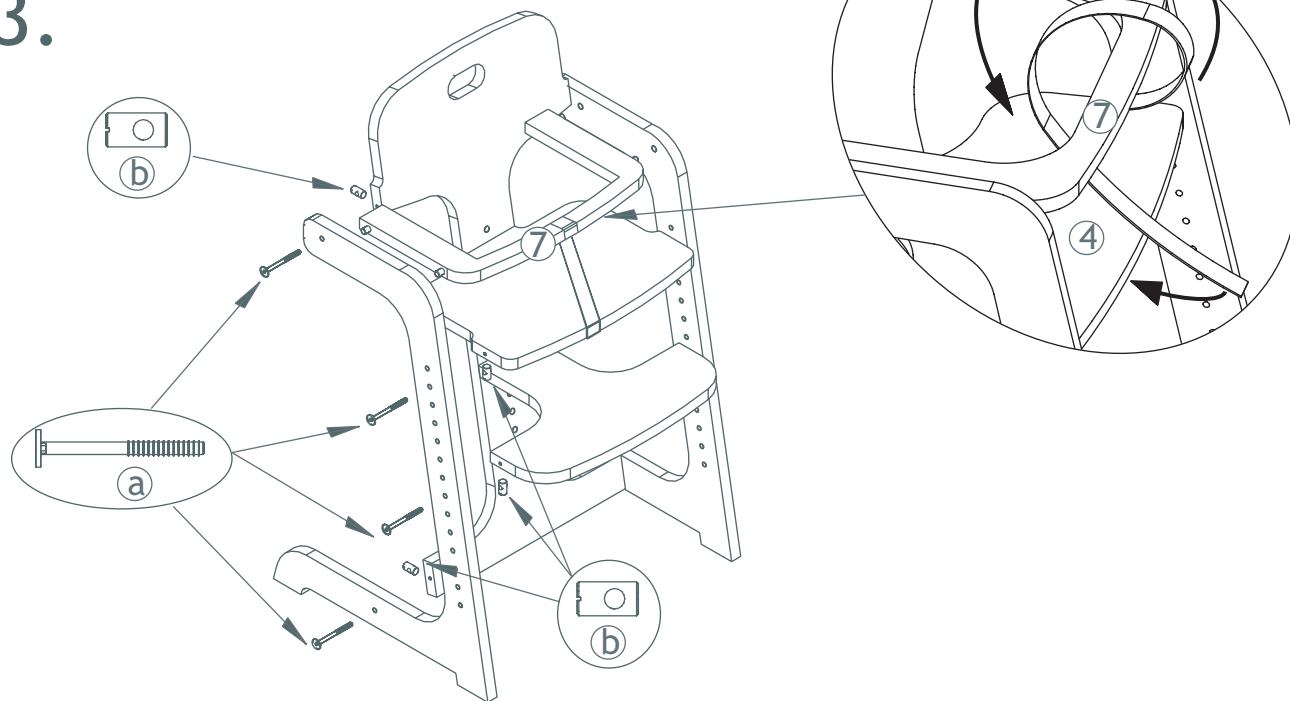
1.



2.



3.



Do not leave child unattended
Ensuring that the product is on
a level stable surface.

All additional hazards such as
electrical flex should be kept out
of reach of the child in the high
chair.